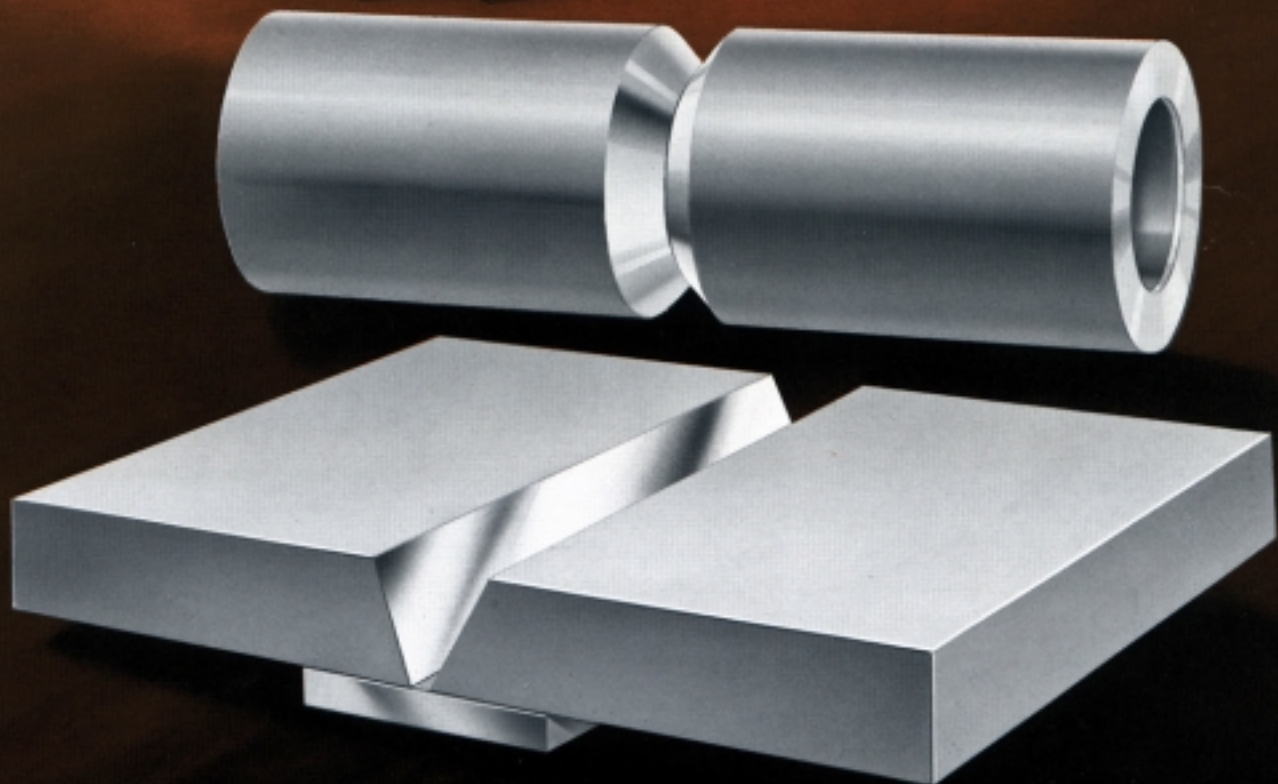


WELD TEST COUPONS

**FOR TRAINING
AND QUALIFICATION**

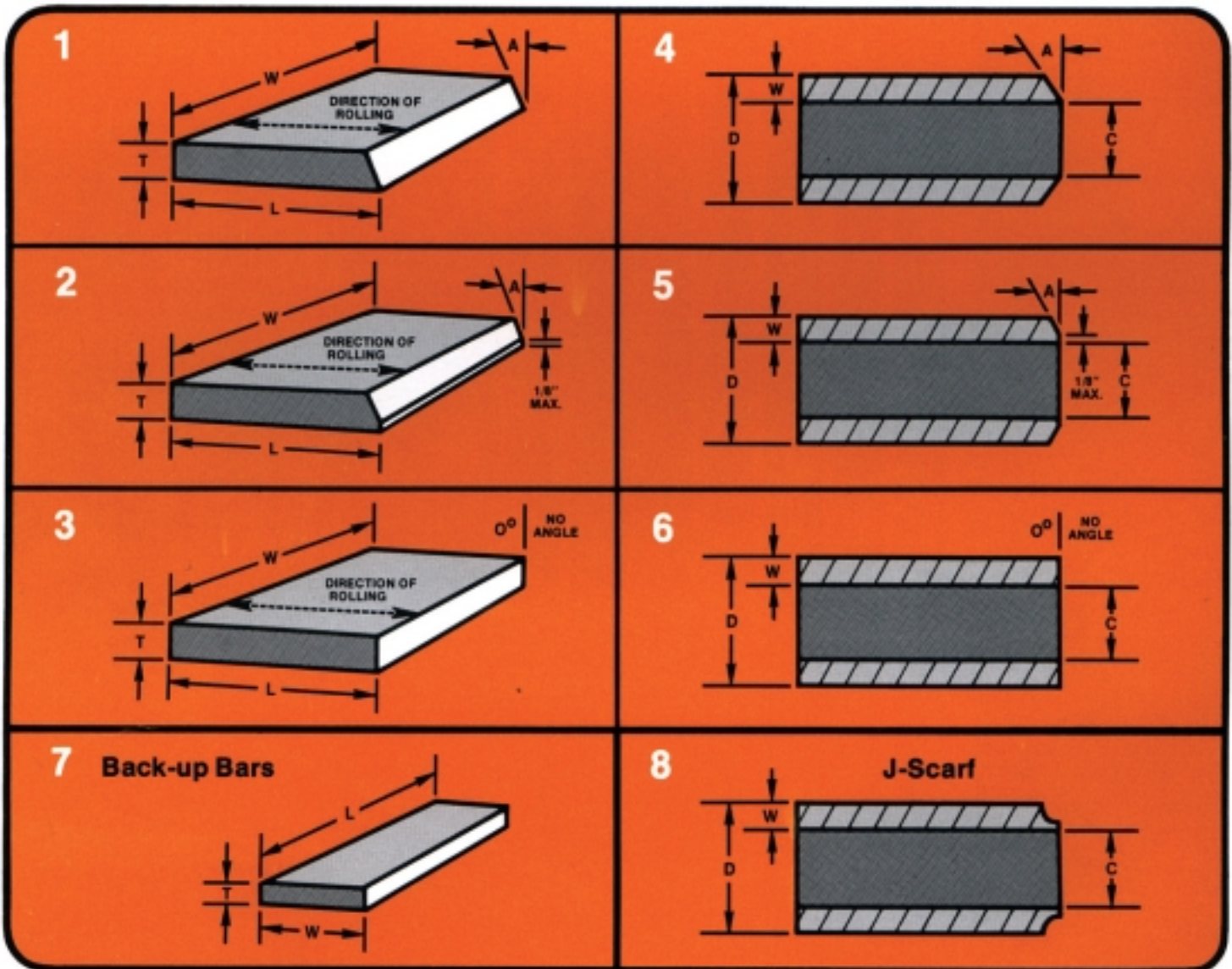
Reduce your cost of training and qualifying welders with professionally manufactured coupons that meet all A.W.S., A.S.M.E., and Nuclear Standards. All coupons are machine beveled to your requirements. We supply certification on all material.

See page two for details.



ZIERDEN COMPANY 7355 S. FIRST STREET • OAK CREEK, WISCONSIN 53154 • (414) 764-6630

Typical Test Coupons



IMPORTANT: When requesting quotation or ordering your test coupons be sure to specify the following:

For Coupon Plates:

- Material Type
- Width
- Length
- Type and degree of bevel

For Back-up Bars:

- Material Type
- Length
- Width
- Thickness

For Pipe and Tubing:

- Material Type
- Size
- Schedule or wall thickness
- Length
- Type and degree of bevel

For Quick Action Call (414) 764-6630

ZIERDEN COMPANY 7355 S. FIRST STREET • OAK CREEK, WISCONSIN 53154

